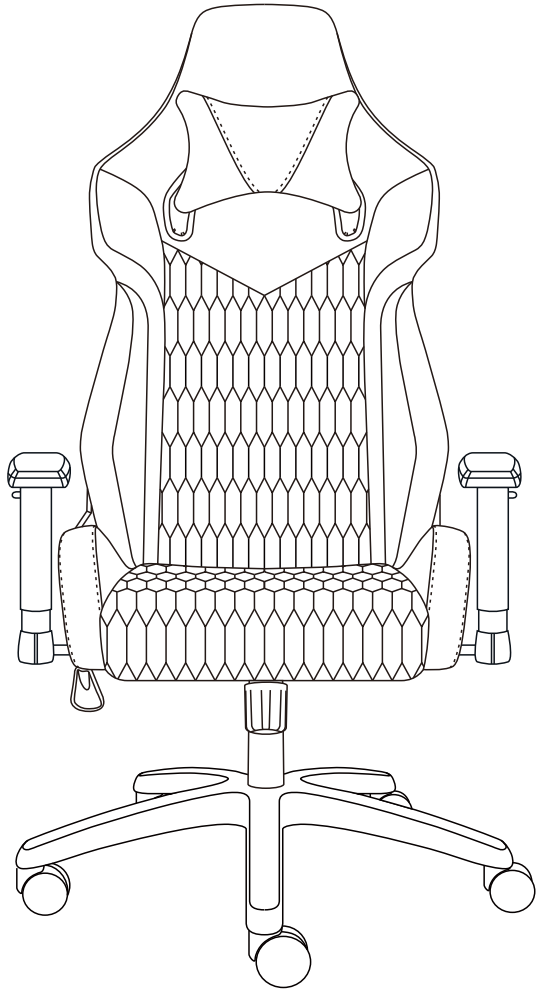


WIN 101

1STPLAYER GAMING CHAIR
USER MANUAL 说明书

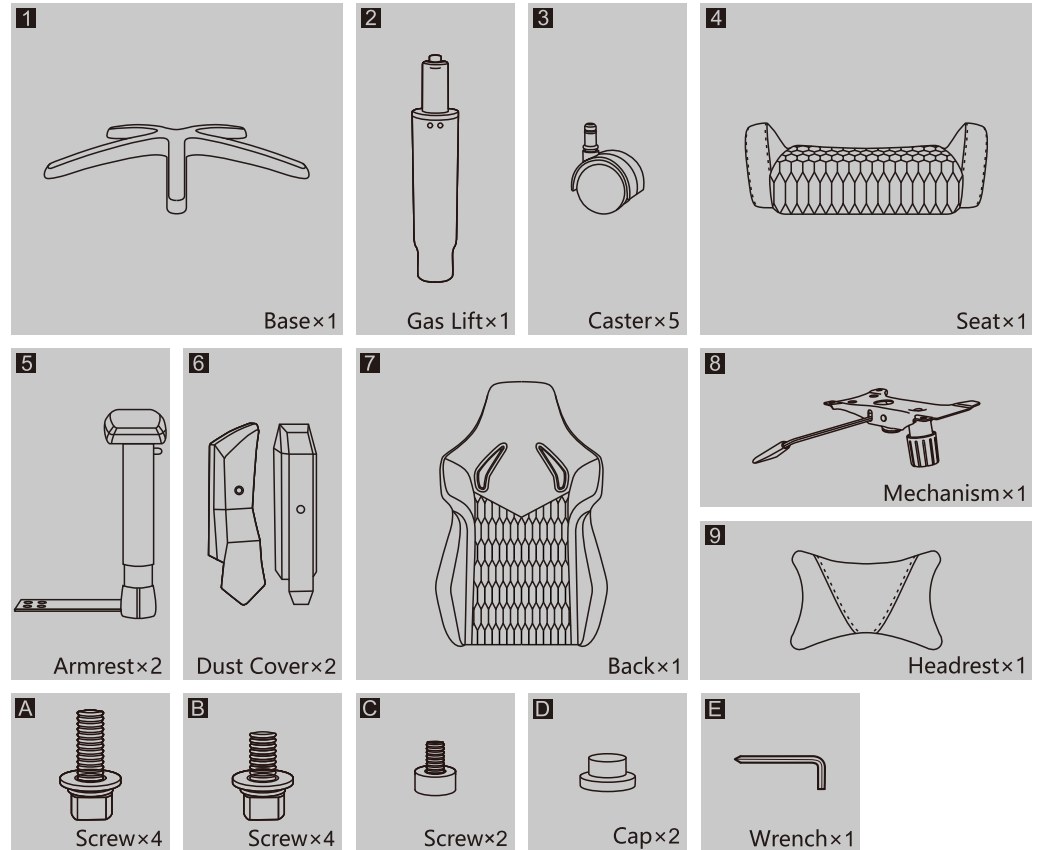


· CAUTIONS / 注意

1. Keep away from fire, direct sunlight and wet environment./ 请避免火灾, 阳光直射和潮湿的环境。
2. Do not put the chair on a high or unstable place, in case of falling down./ 请勿将椅子放在高处或不稳定的地方, 以免跌落。
3. Be aware of the kids when they are climbing the chair./ 请注意小孩在椅子上攀爬。
4. Be aware of the natural loosen of the screws after long-time using, avoid sharp things scratch the chair. / 长期使用后请注意螺栓的自然松动, 避免尖锐的东西划伤椅子。

· ACCESSORIES / 配件

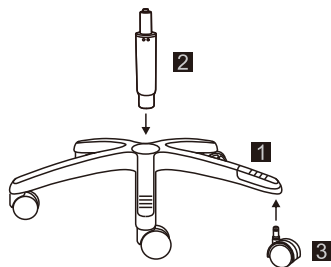
(Screw A and Screw B are pre-embedded. / 螺栓A和螺栓B是预埋的。)



• MOUNTING DIAGRAM / 安装图

STEP 1 / 步骤一

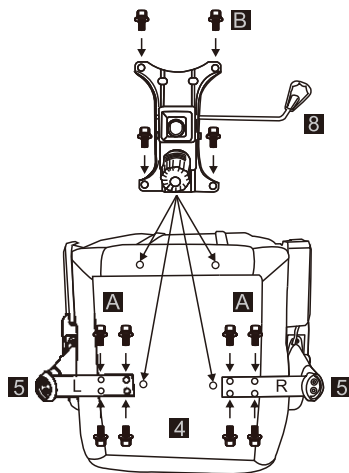
Install part 2 and part 3 in the part 1.
在五星椅脚上安装椅轮和气压棒。



STEP 2 / 步骤二

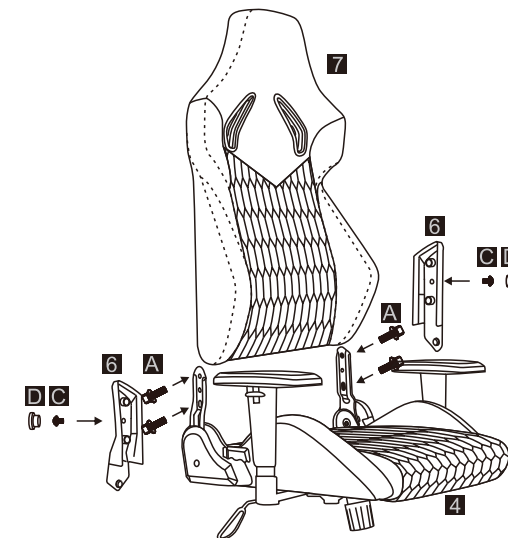
Lock part 5 and part 8 on the part 4 together with screw A and screw B, and make sure the screws are screwed in tight (Screw A and Screw B are pre-embedded).

用螺栓将底盘、扶手和坐垫锁定在一起，并确保螺栓拧紧（螺栓 A 和螺栓 B 是预埋的）。



STEP 3 / 步骤三

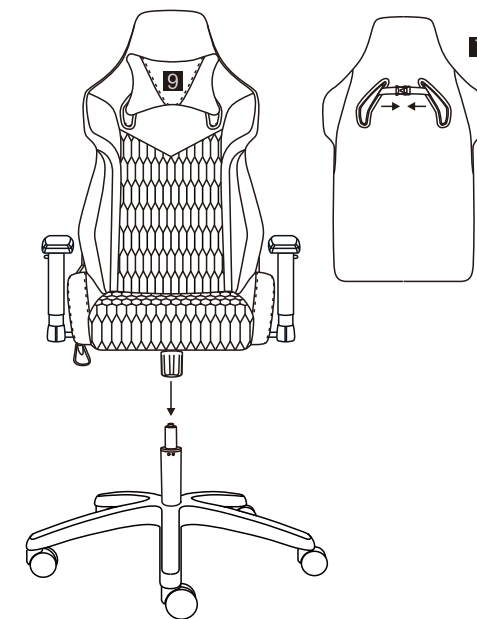
Put the part 7 and part 4 together, the left and right sides which need aim at the screw holes, then lock with screw A (Screw A are pre-embedded). Cover the part 6, lock screw C into the hole on part 6, and then attach the cap D on it. 把靠背和坐垫放在一起，对准左右两侧的螺栓孔后锁上螺栓（螺栓 A 是预埋的）。套上防尘套，将螺栓锁定到防尘套孔中，然后将螺栓盖安装在其上。



STEP 4 / 步骤四

Aim at the top of gas lift and the hole of mechanism, then put the chair body down. Fasten the headrest belt through the hole in the backrest, and adjust the position as preference (built-in lumbar).

对准气压棒顶部和底盘孔，然后将椅体放下。将头枕的安全带穿过靠背的孔中即可固定，请调整到合适位置（内嵌式腰包）。

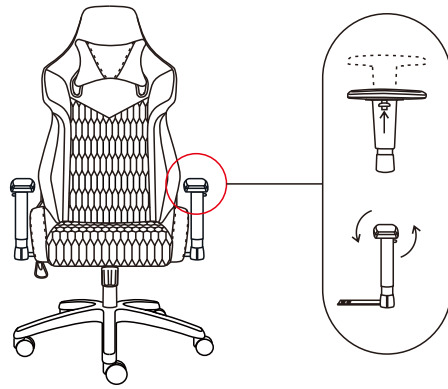


• FUNCTION DESCRIPTION / 功能描述

1. 2D armrest / 2D扶手

It can move up, down, left, and right (diagonal), to adjust to the best position.

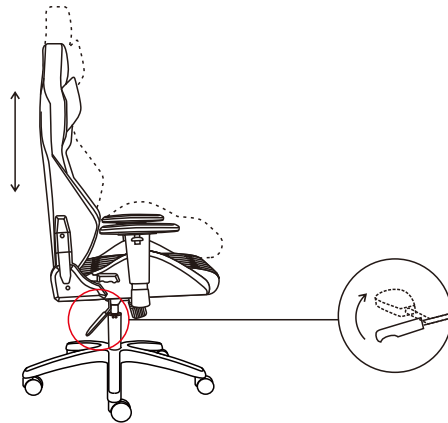
扶手可以在上下、左右(对角线)两个方向上移动,可将其调整到最佳位置。



2. Seat height adjustment

座椅高度调节

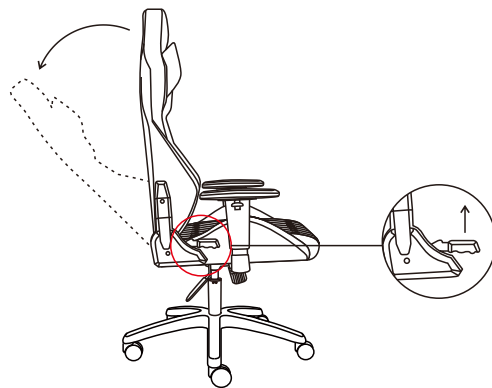
When adjusting the height, operate the lift lever on the right side of the seat; if you lift the lifter bar while your hips are floating, the seat surface will rise; if you raise the lifter bar while sitting, the seat surface will lower. 调节高度时,操作座椅右侧的升降杆;如果您在臀部悬浮时提起升降杆,则座椅表面会升高;如果您在坐着时抬起升降杆,座椅表面会降低。



3. Backrest adjustment / 靠背调节

Raise the angle adjuster handle on the right side of the seat, and then slowly lie back to adjust to the desired angle. You can lie down up to 150°.

提起座椅右侧的调角器手柄,然后慢慢向后躺以调整到所需的角。您最多可以躺卧 150°。



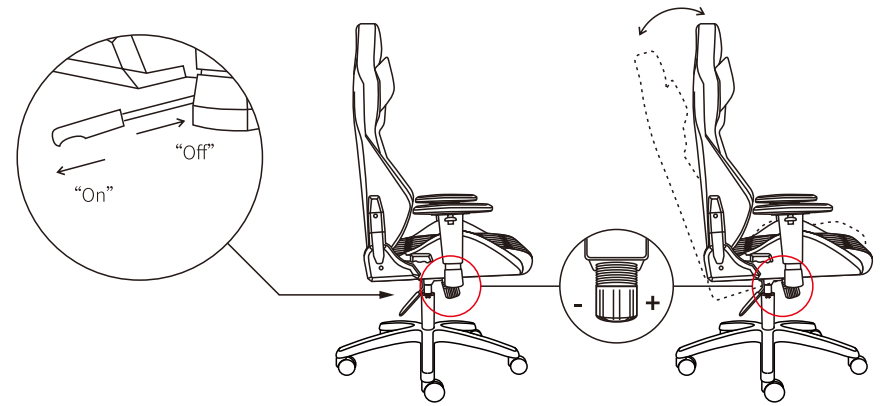
4. Swing function / 摇摆功能

The lifting function and swing function are turned off when the mechanism adjustment lever is pushed in, and turned on when pulled out; in addition, the swing function is adjusted using the tightness adjuster at the bottom of the seat.

※ If the adjuster is over-tightened, the swing function may not work.

推入底盘调节杆时升降功能和摇摆功能关闭,拉出时开启;此外,使用坐垫底部的松紧度调节器调节摇摆功能。

※如果松紧调节器拧得过紧,摇摆功能可能不起作用。



• Maintenance items / 保养事项

1. For daily cleaning, a dry dishcloth is enough. For daily cleaning to remove dust, please wipe with a dry dishcloth. Wipe gently with a soft dry dishcloth or vacuum cleaner to remove any dust on the surface. / 日常清洁,干抹布就足够了。对于日常清洁以去除灰尘,请用干布擦拭。用柔软的干布或真空吸尘器轻轻擦拭以去除表面上的任何灰尘。
2. If the dirt is difficult to remove, soak a soft dishcloth in warm water diluted with a neutral detergent, and then gently wipe the surface. / 如果污垢难以去除,可将软布浸泡在用中性清洁剂稀释的温水中,然后轻轻擦拭表面。
3. Do not use detergents containing alcohol. / 不要使用含有酒精的清洁剂。